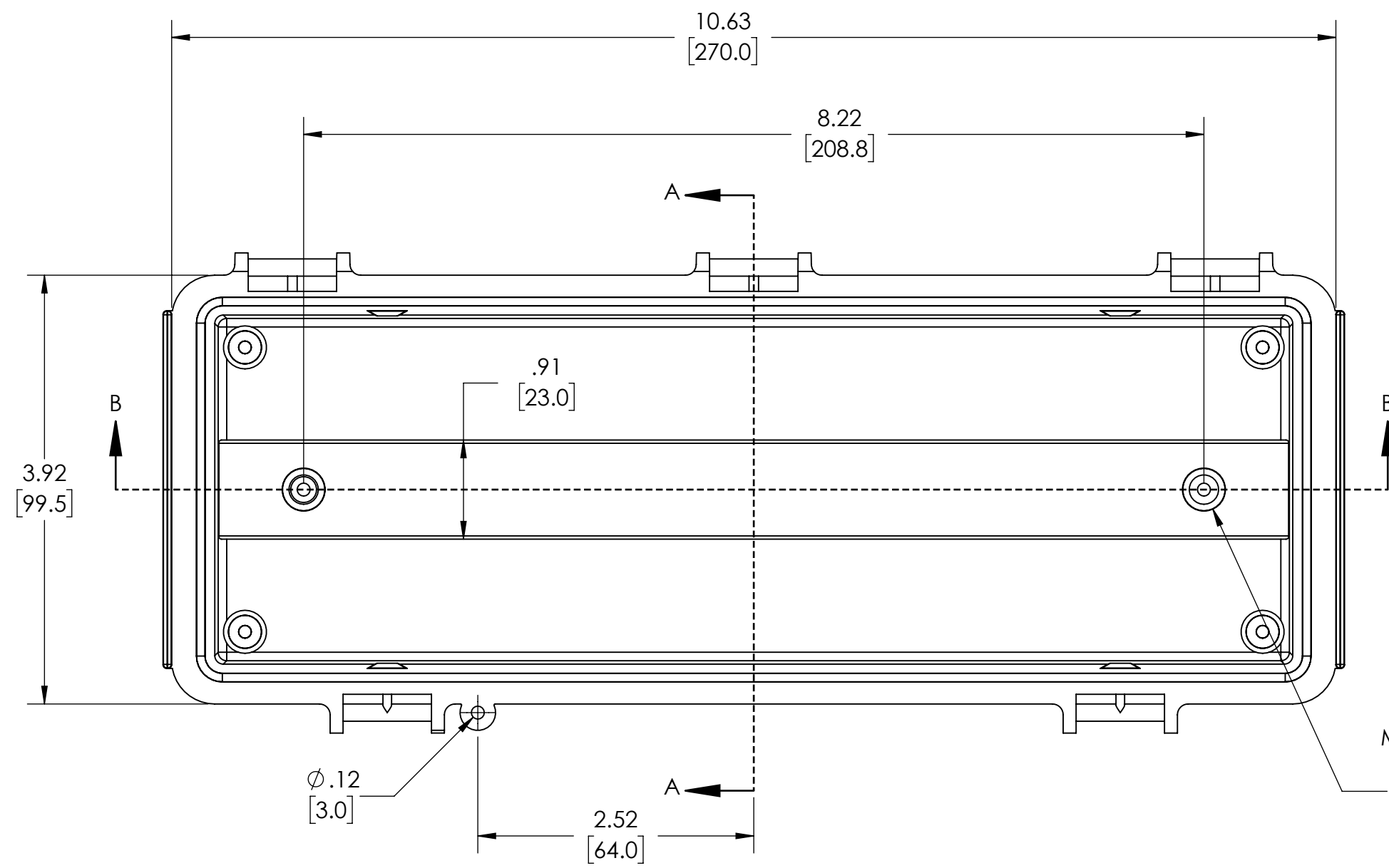
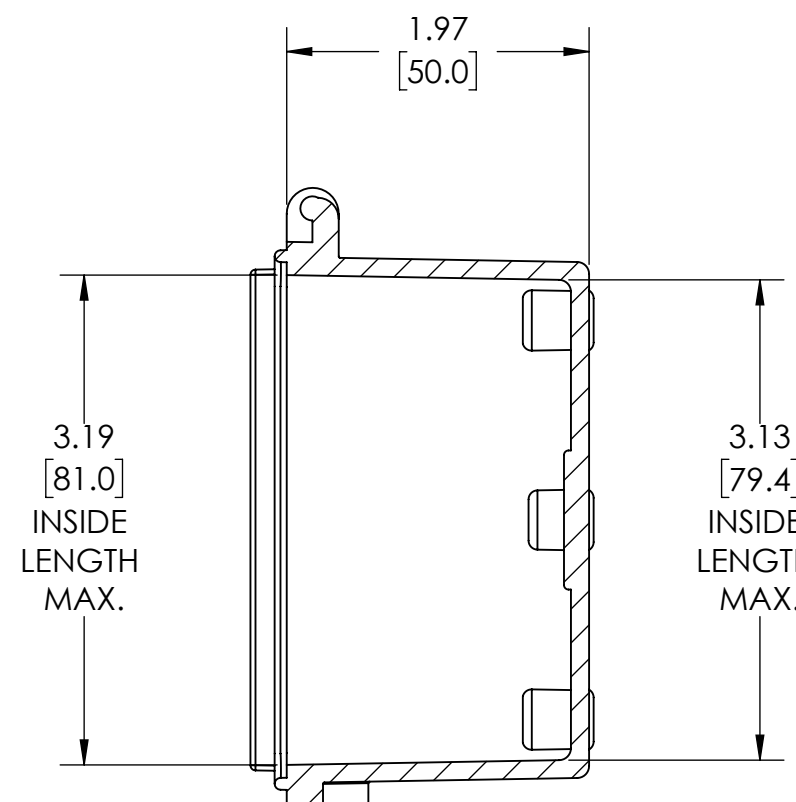


**BODY**

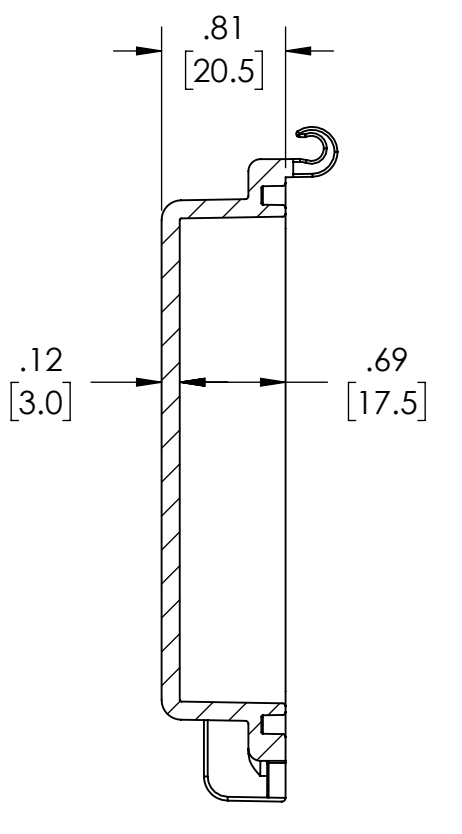
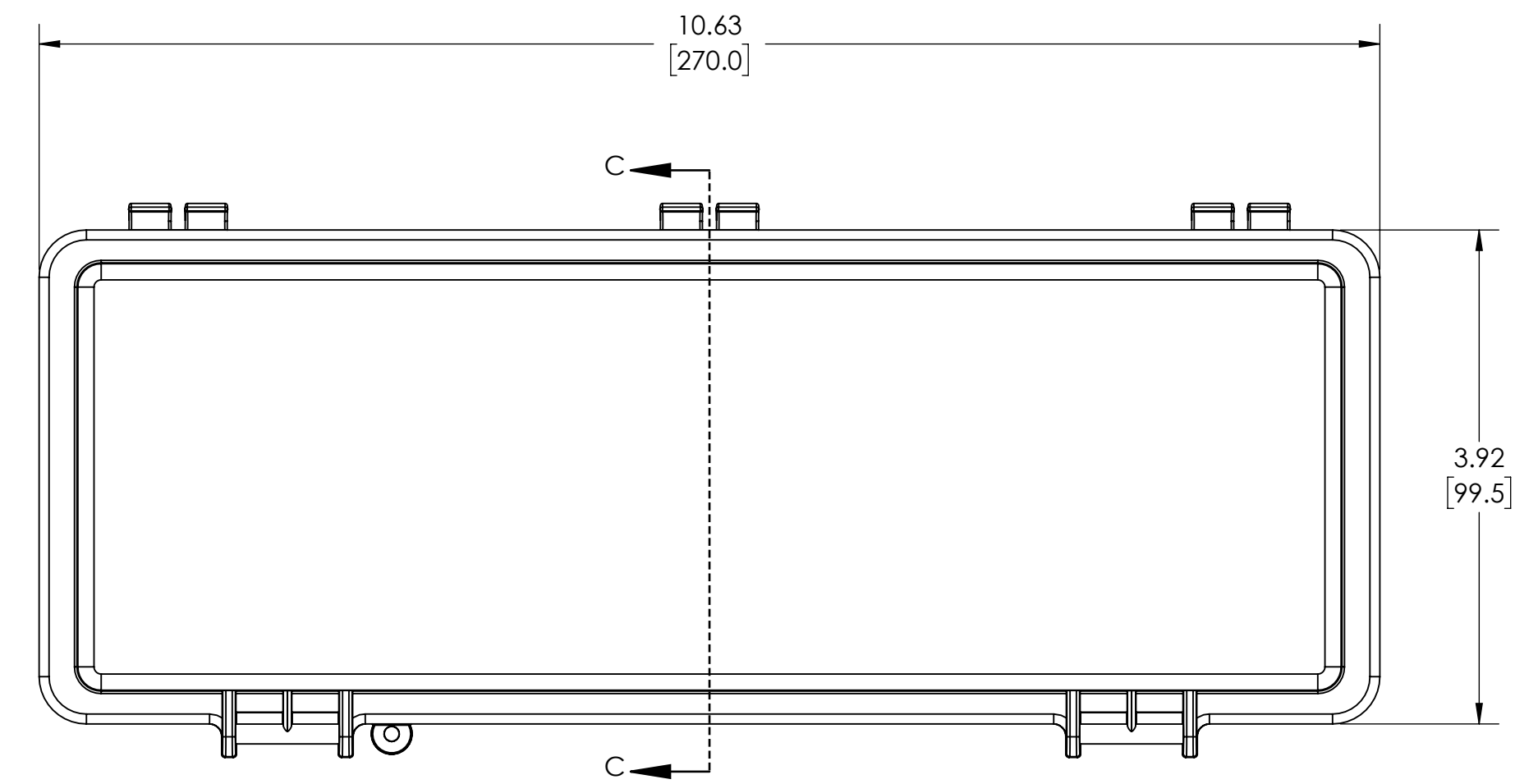


M4 X 0.7 THREADED INSERTS  
2 PLACES ONLY  
(USE M4 X 0.7 X 8MM LG.  
MACHINE SCREWS-  
NOT SUPPLIED)

SECTION A-A

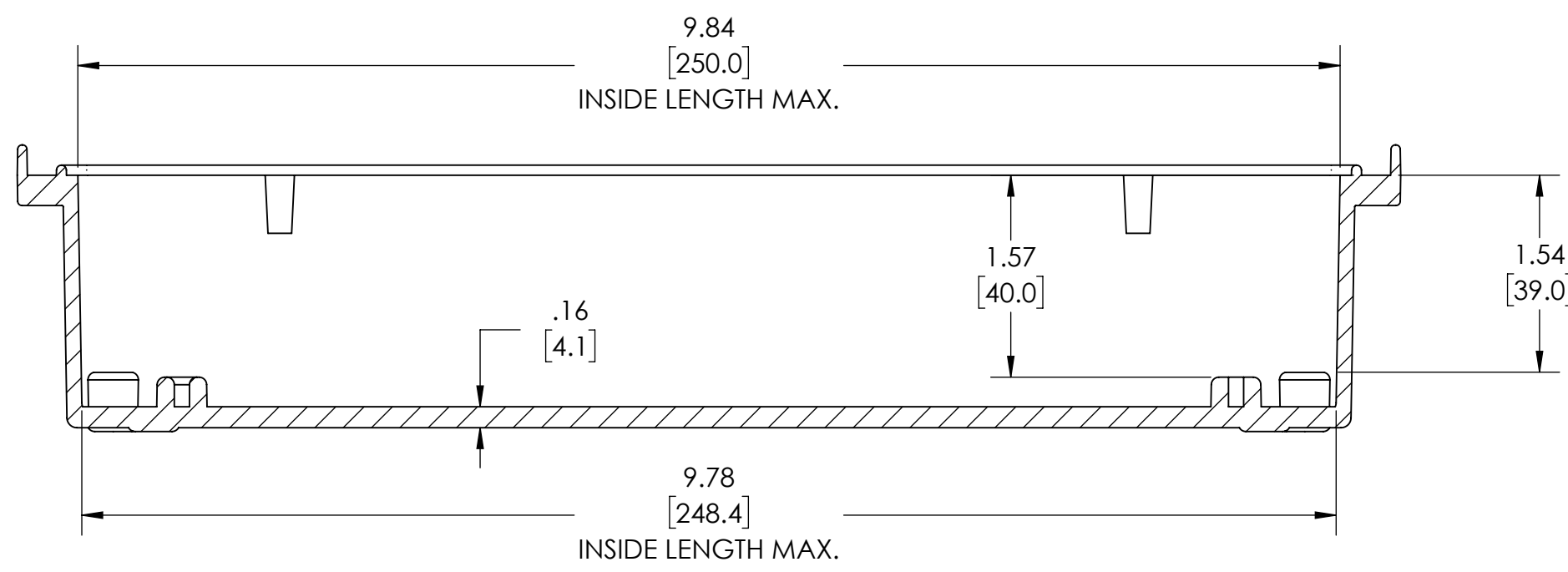
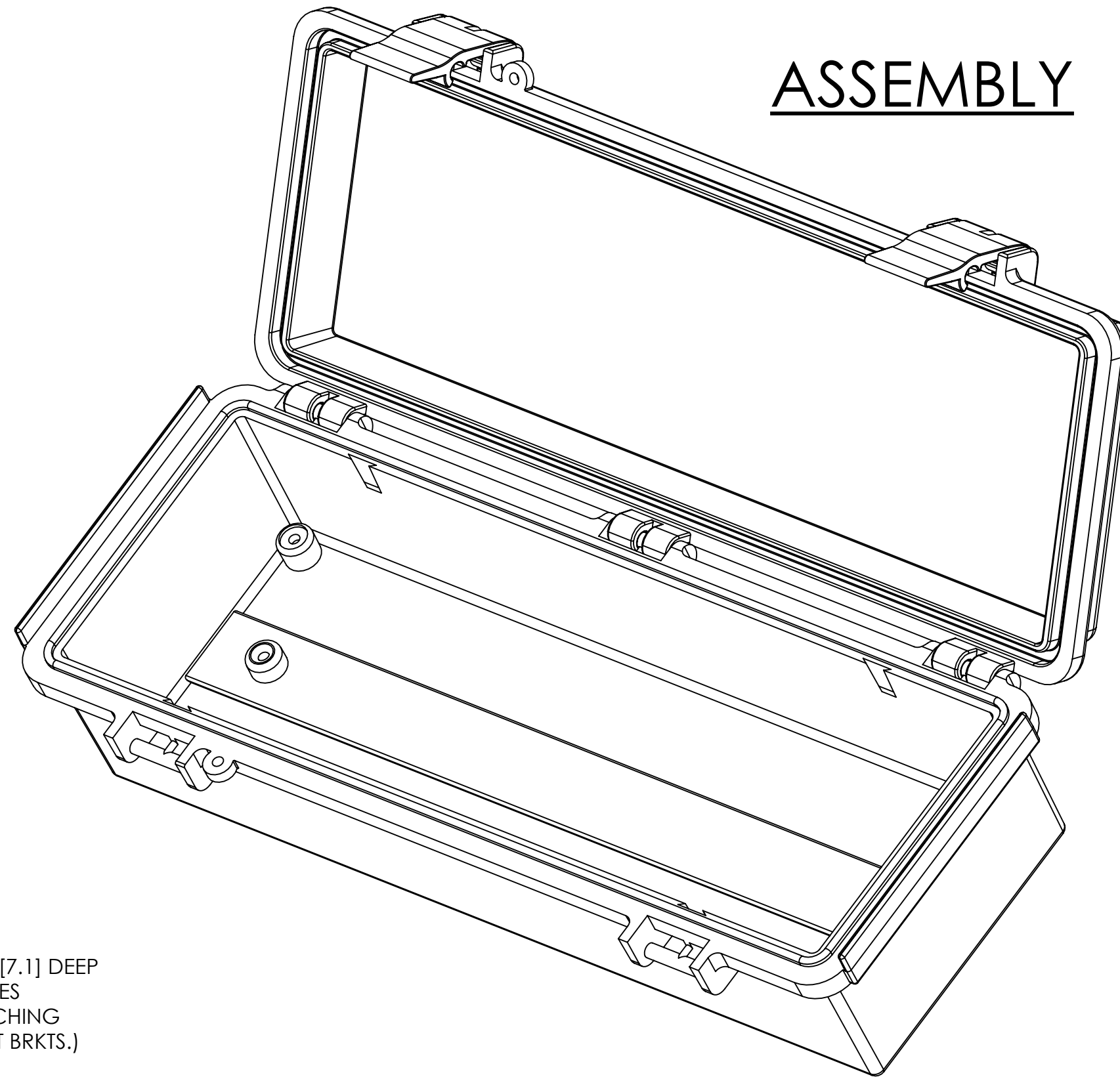


**COVER**

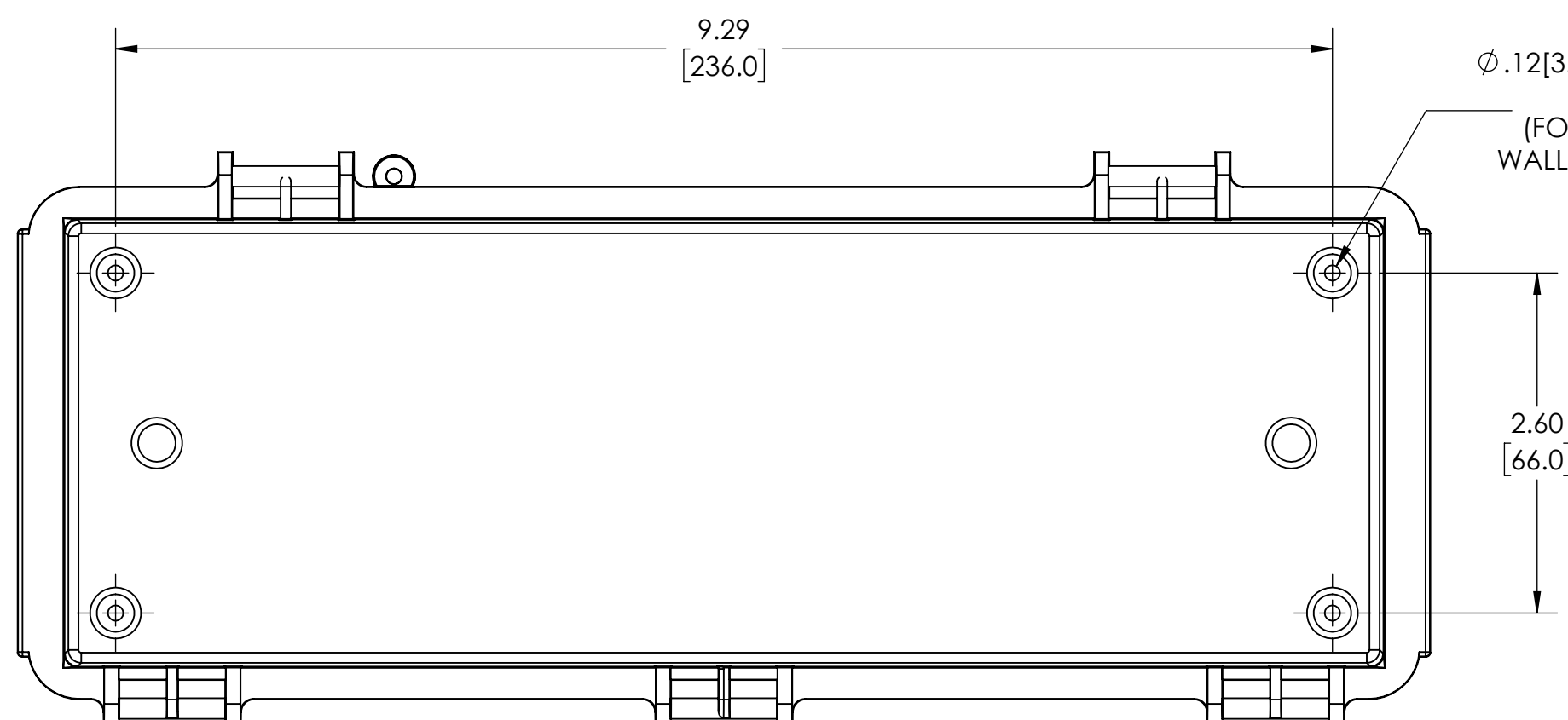


SECTION C-C

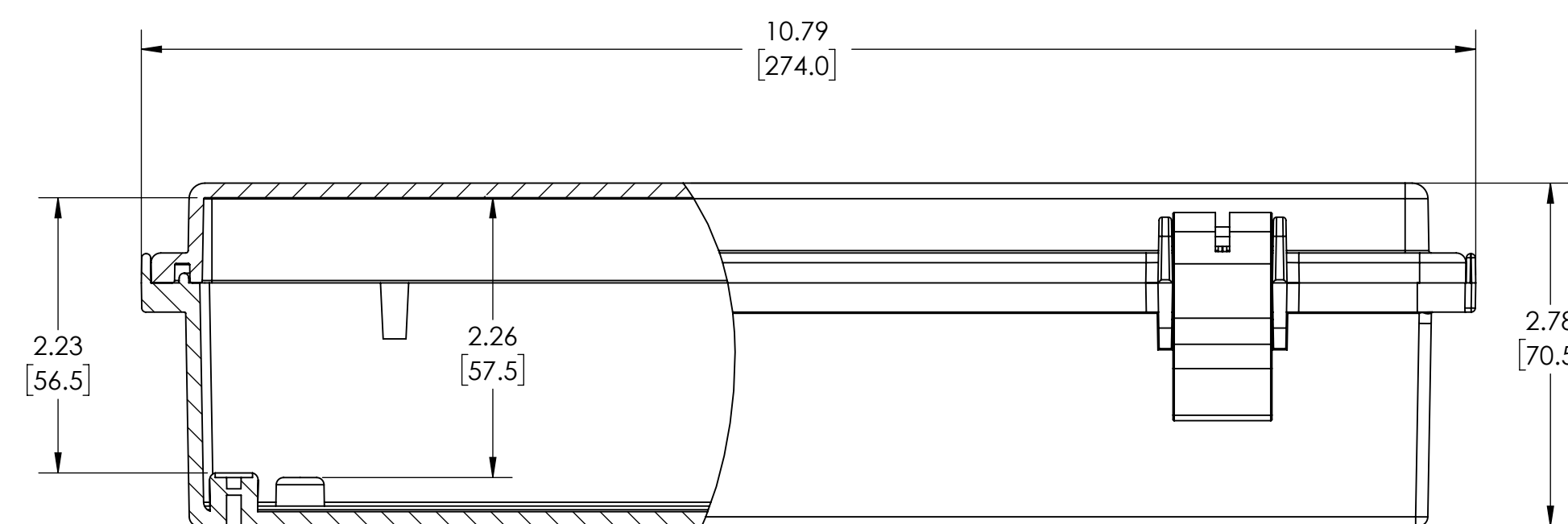
**ASSEMBLY**



SECTION B-B



$\phi .12$  [3.0] X .28 [7.1] DEEP  
4 PLACES  
(FOR ATTACHING  
WALL MOUNT BRKTS.)



NOTES:

1. MATERIAL:  
BODY, COVER, & LATCHES LIGHT GRAY PBT/PC BLEND, UL94-5VA+UV(f1) FLAMMABILITY RATING AT CONTINUOUS OPERATING TEMPERATURE OF -40 C ~ +75 C / -40 F ~ 167 F
2. WALL MOUNTING BRACKETS 16 GA. [1.5mm] STAINLESS STEEL
3. SCREWS (FOR WALL MTG. BRKTS.) STAINLESS STEEL
4. UNIT COMES COMPLETE WITH (4) SMALL WALL MOUNTING BRACKETS & (4) M4x0.7 x 8mm LG. SELF-TAPPING SCREWS. (NOT SHOWN)
5. BOXES DESIGNED TO MEET FOLLOWING STANDARDS:  
NEMA 1,2,4,4X AND IEC529-IP66 REQUIREMENTS.
6. TOLERANCES:  
ALL DIMENSIONS HAVE .039in. [1mm] TOLERANCE UNLESS OTHERWISE SPECIFIED.

**DRAWING FOR REFERENCE**  
WE RESERVE THE RIGHT TO MAKE CHANGES TO OUR STANDARD PRODUCTS. PLEASE CONSULT WITH BUD INDUSTRIES PRIOR TO USING THIS DRAWING FOR DESIGN PURPOSE.