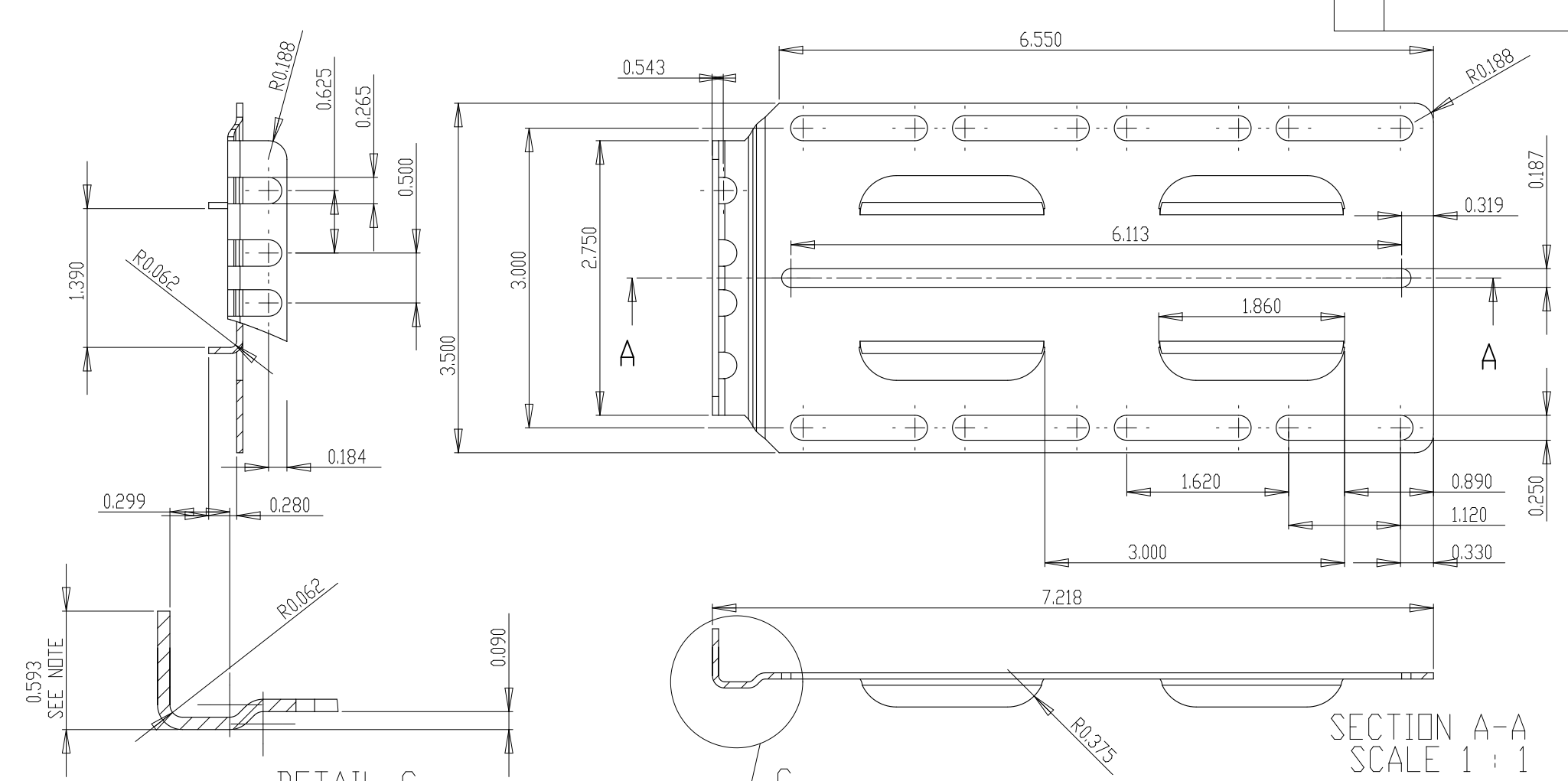


THE INFORMATION CONTAINED IN THIS DRAWING IS THE SOLE PROPERTY OF BUD INDUSTRIES INC. ANY REPRODUCTION IN PART OR WHOLE WITHOUT THE WRITTEN PERMISSION OF BUD INDUSTRIES INC. IS PROHIBITED.

DWG. NO.	5105-MB
ISSUE	REVISIONS



IF THIS REPLACES STANDARDS PRODUCT THEN THIS DIMENSION MUST GROW .090"

DETAIL C
SCALE 2 : 1

2387-MB MODIFIED FOR USE WITH NINGBO RACKS

SECTION A-A
SCALE 1 : 1

PARTS LIST			
TOLERANCES: +/- .005 BETWEEN HOLE CENTERS +/- .015 FROM SHEARED EDGE +/- .032 FROM A BENT SURFACE +/- .062 BETWEEN ASSEMBLED SURFACES UNLESS OTHERWISE SPECIFIED		CAD GENERATED DRAWING. DO NOT MANUALLY UPDATE	
MATERIAL 16 GAGE STEEL		APPROVALS DRAWN RD	DATE 3-11-09
FINISH BLACK POWDER		CHECKED	
		APPROVED	
DO NOT SCALE DRAWING		BUD INDUSTRIES INC.	
		MOUNTING BRACKET FOR ACCESSORY SLIDES TO PRO SERIES RACKS	
QTY. USED ON		SIZE DWG. NO. B	REV. 5105-MB
		SCALE	CAD FILE
		SHEET 1 OF 1	

4	BAS-5105
QTY.	USED ON