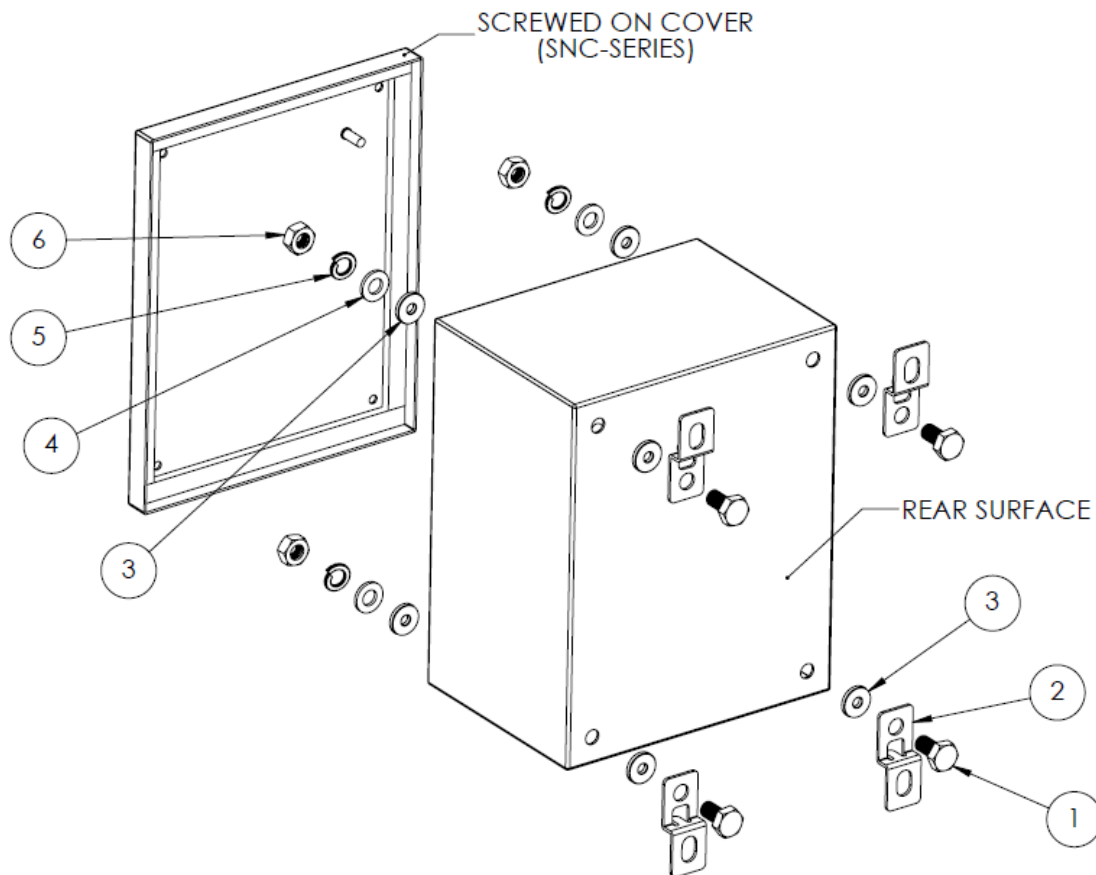


WALL MOUNTING KIT

SNC SERIES

ASSEMBLY INSTRUCTIONS

CAUTION: DO NOT THROW OUT PARTS OR HARDWARE: Before starting assembly or discarding packaging, make sure all items listed in the parts list are included.



ITEM No.	PARTS LIST DESCRIPTION	QUANTITY
1	HEX BOLT - M10 x 20mm LG.	4
2	MOUNTING BRACKET	4
3	SEALING WASHER - 6mm I.D. x 20mm O.D. NEOPRENE	8
4	FLAT WASHER - M10	4
5	SPLIT LOCK WASHER - M10	4
6	HEX NUT - M10	4

NOTE:

1. Kit hardware must be assembled in the order shown to maintain watertight seal.
2. To maintain proper seal and UL rating, each Hex Bolt and Hex Nut must be torqued to 20 in. -lbs.