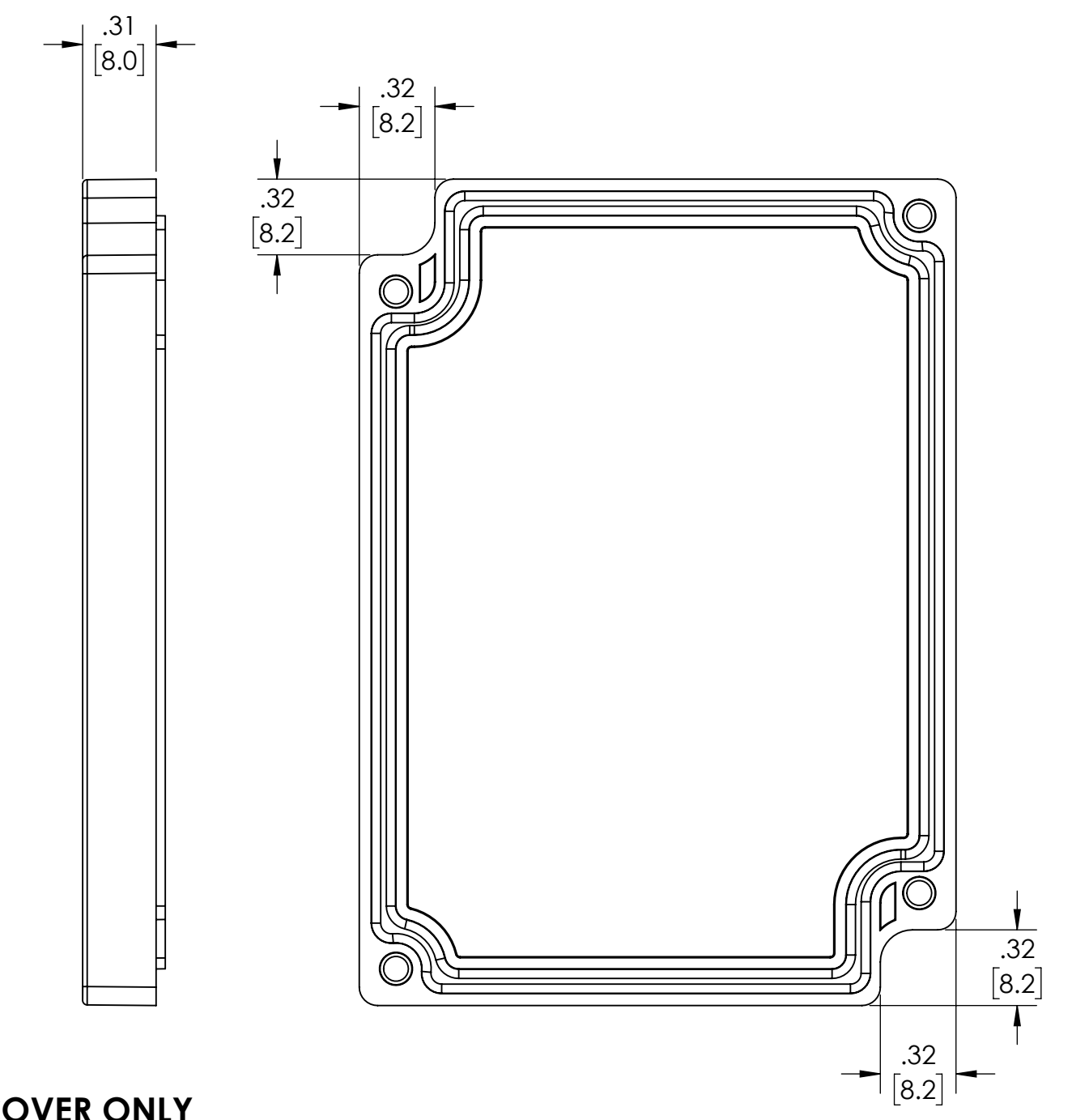
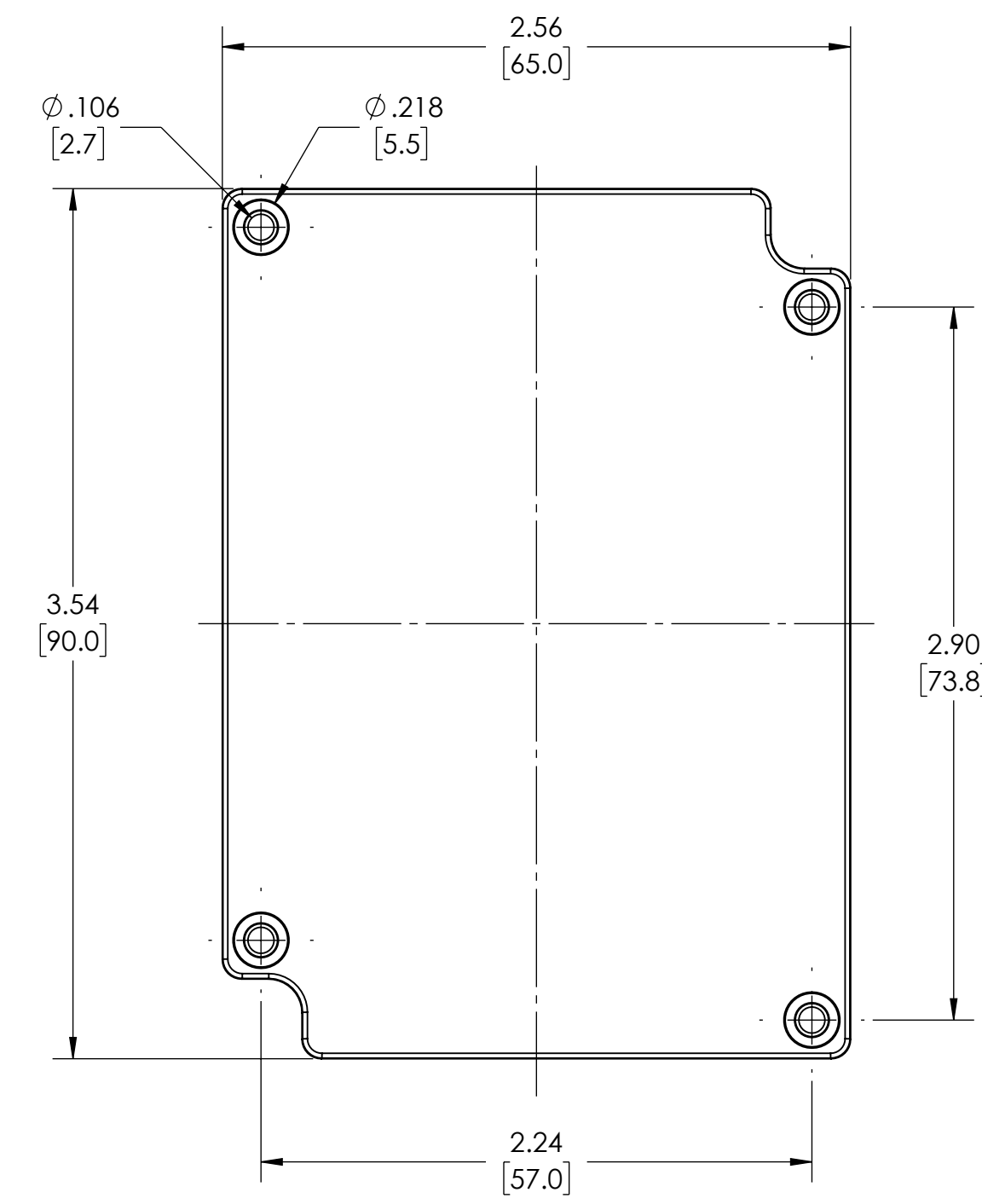
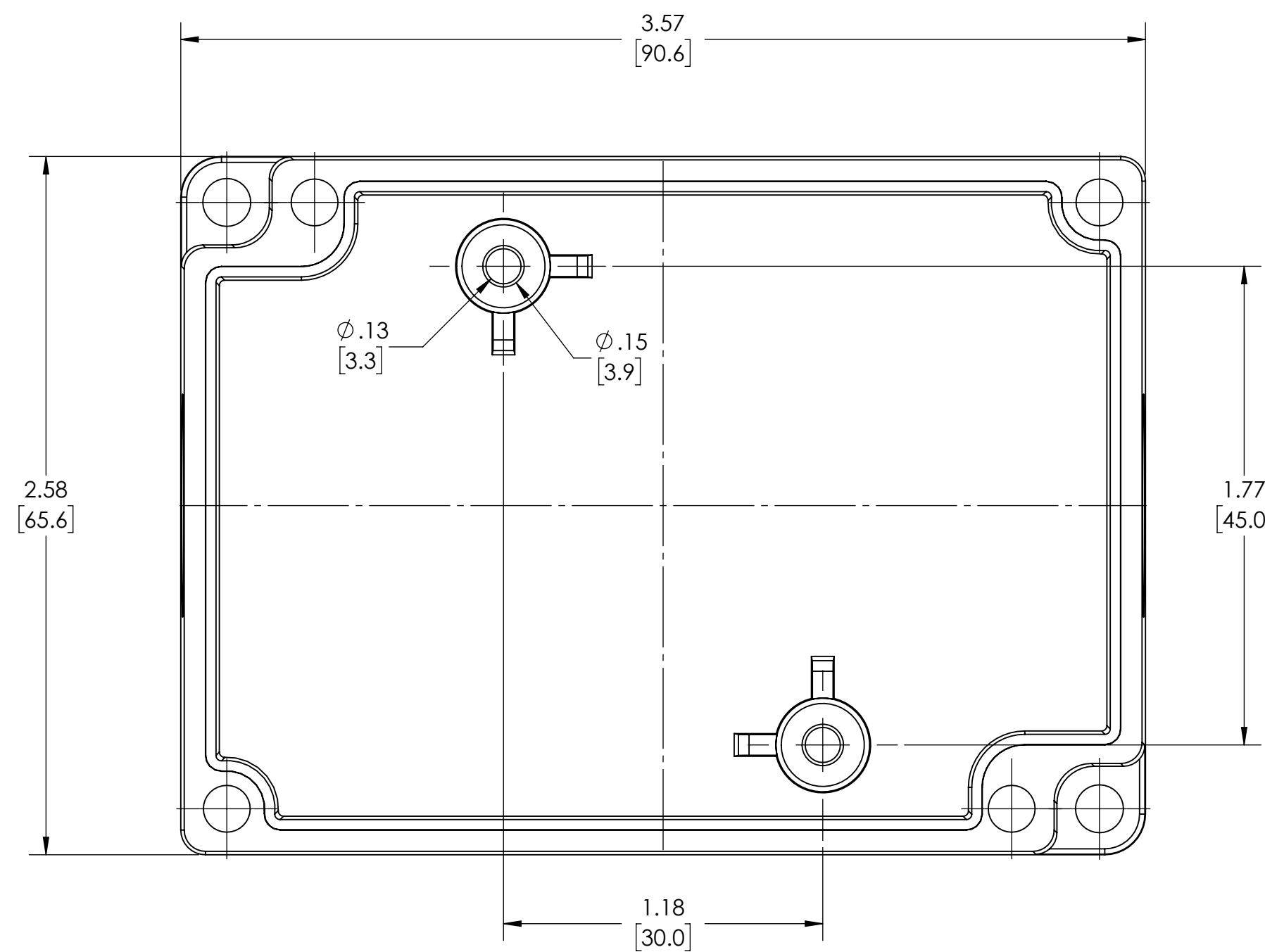
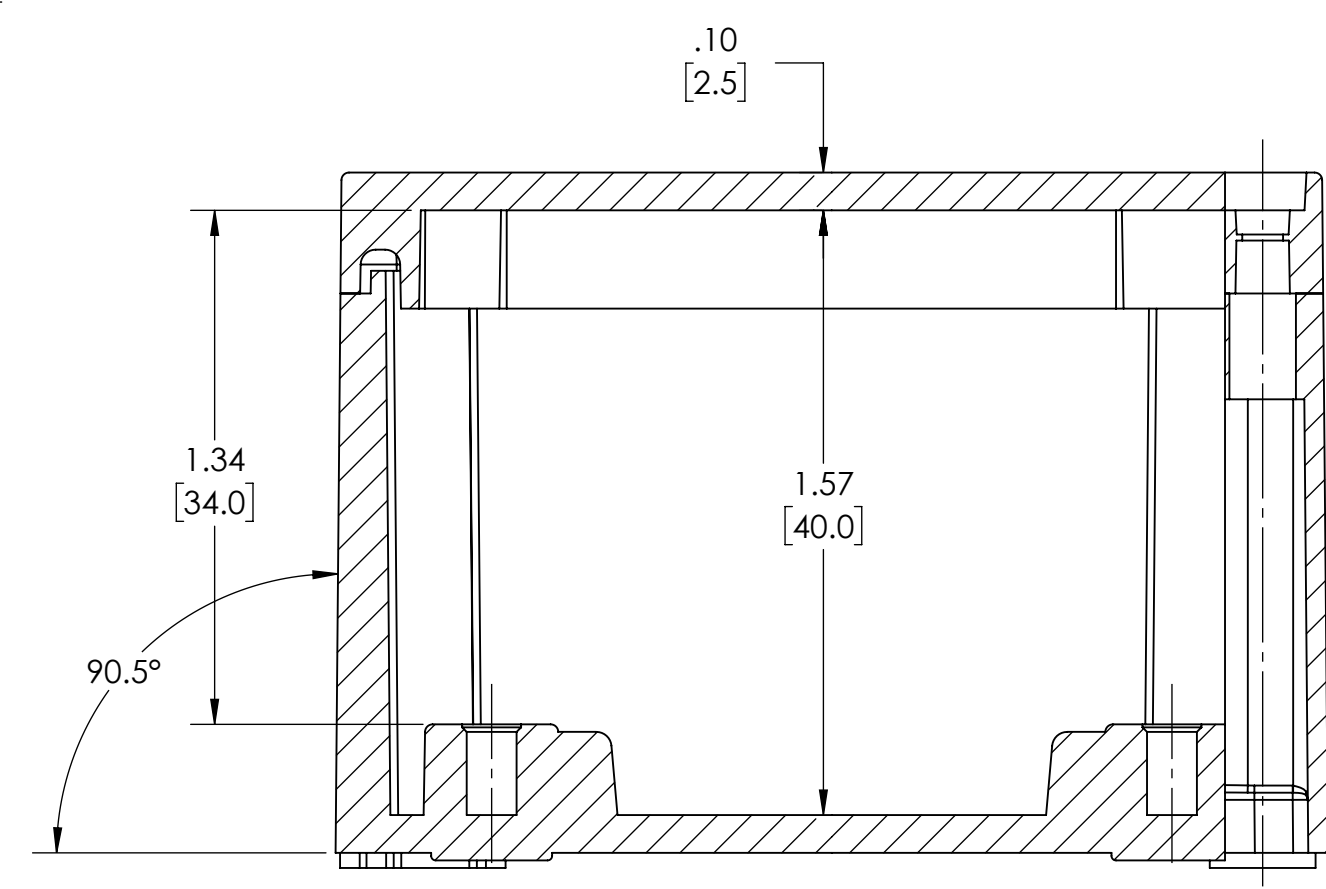
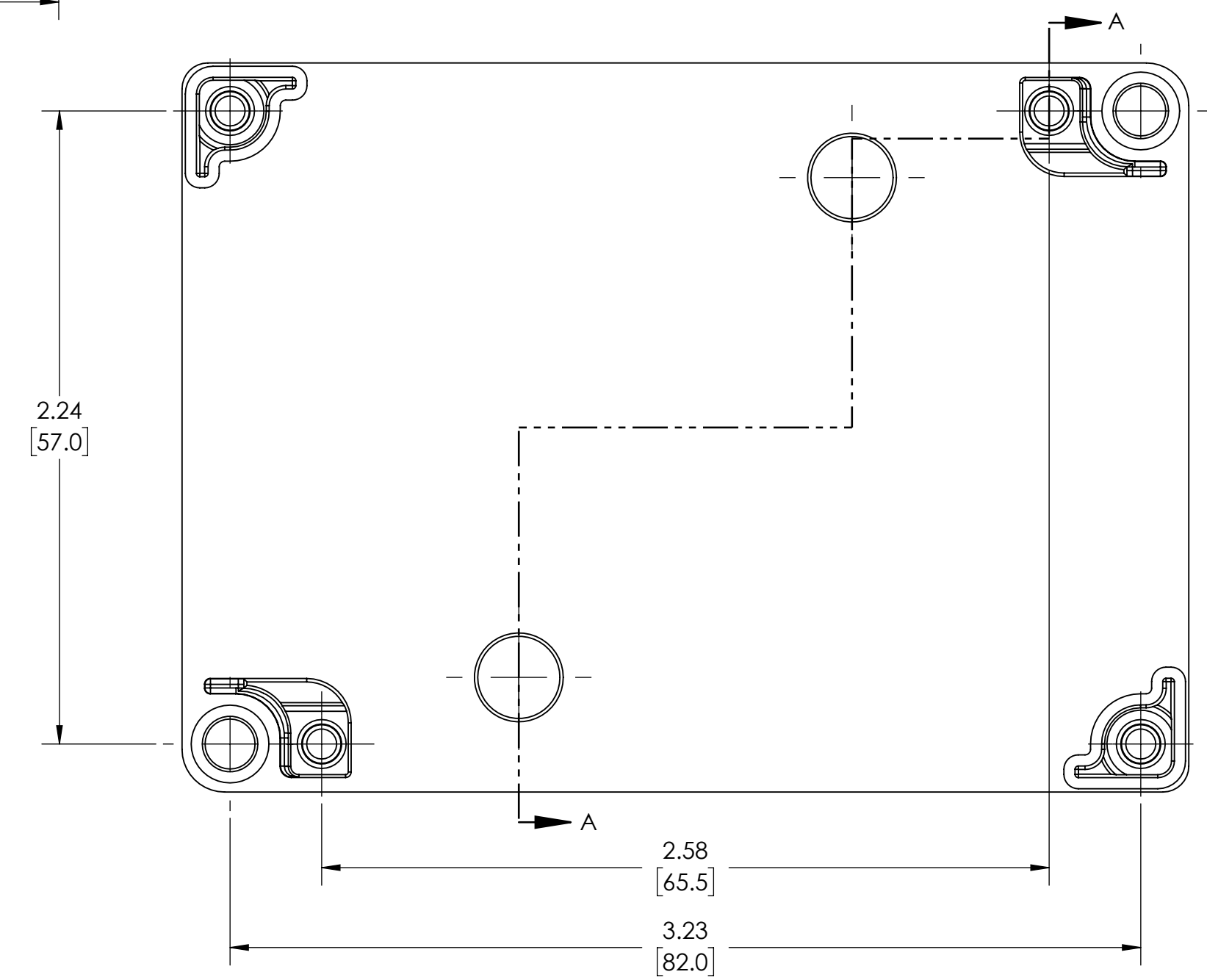
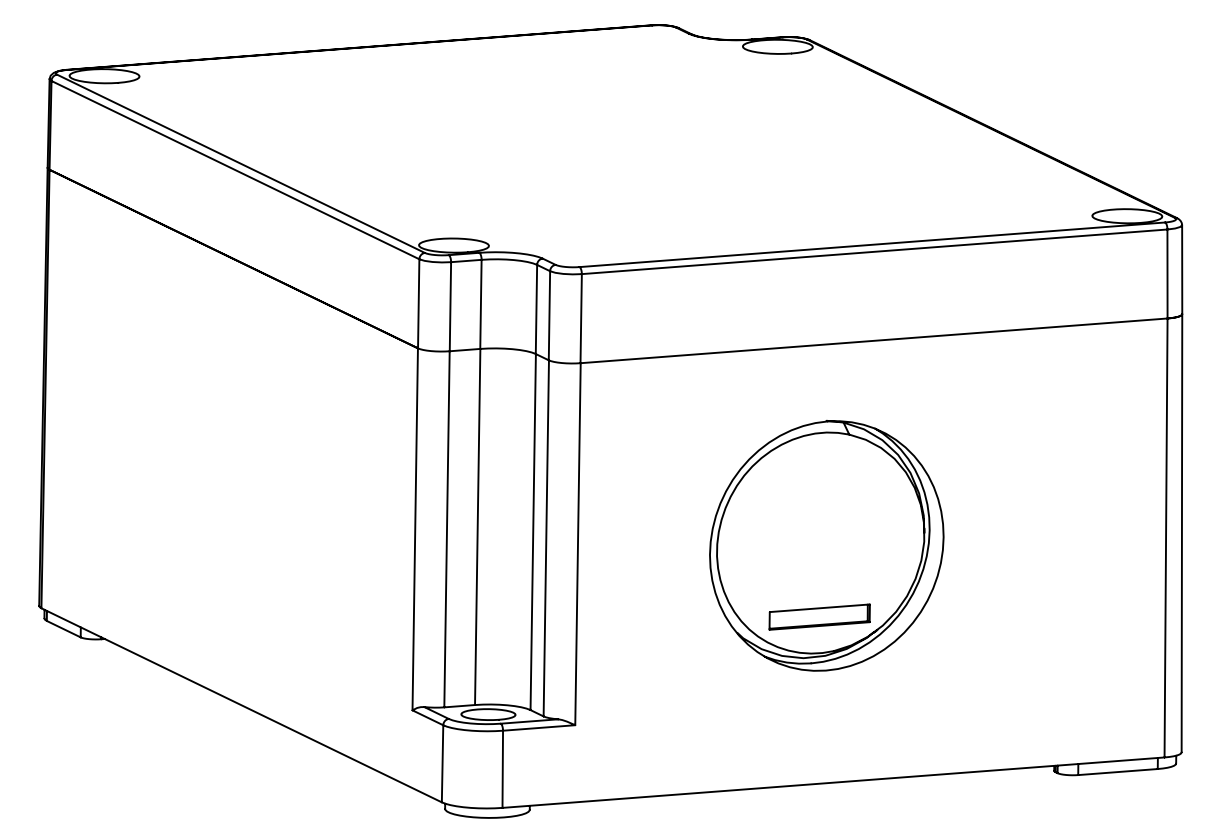
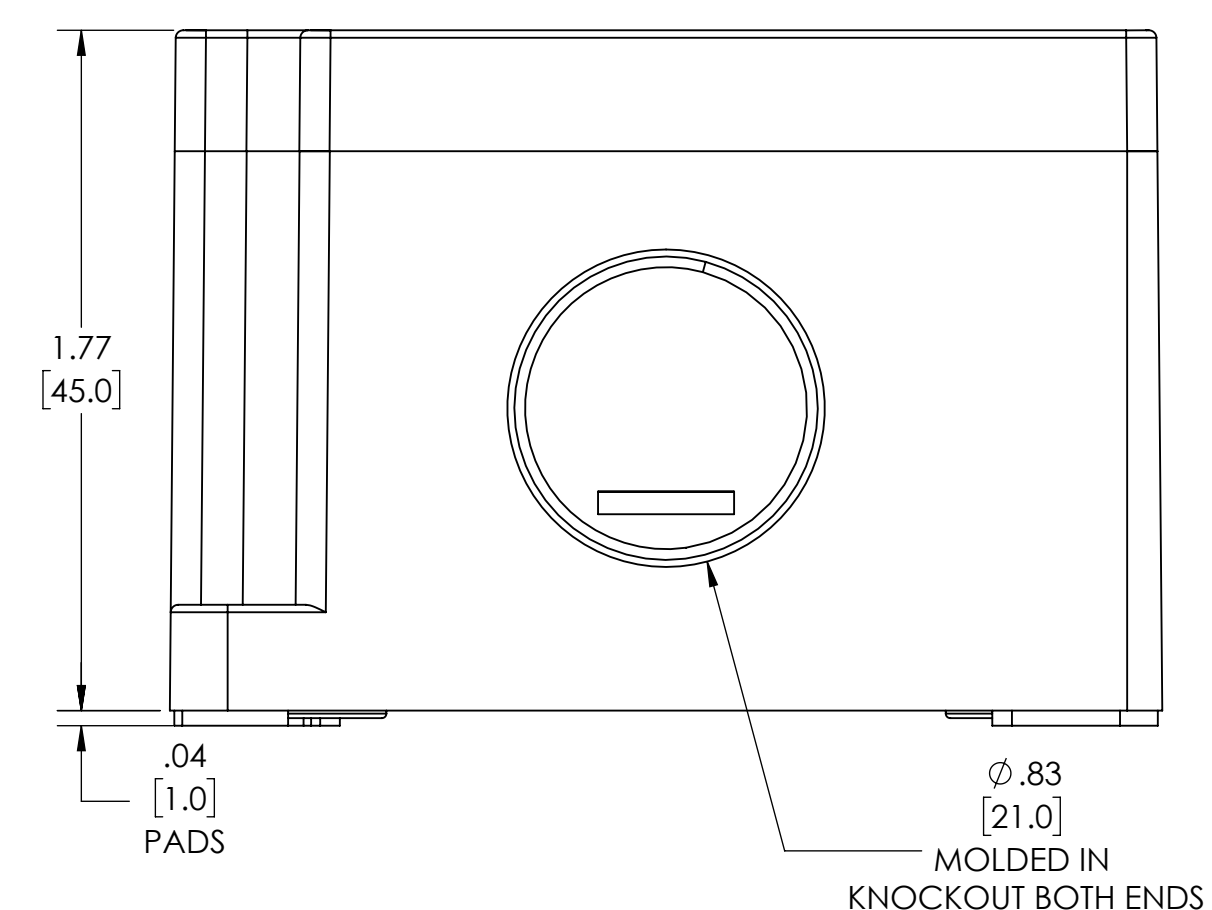
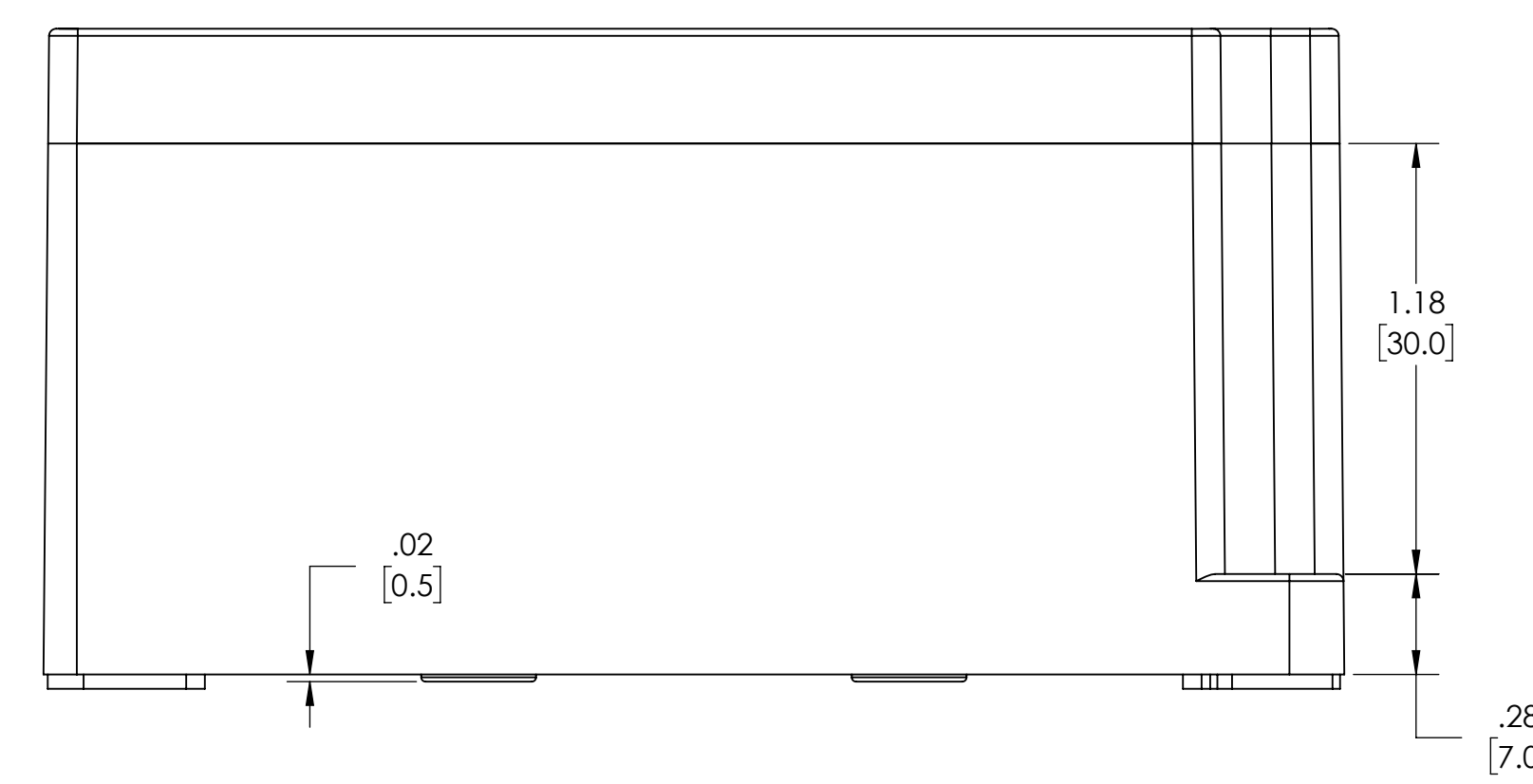
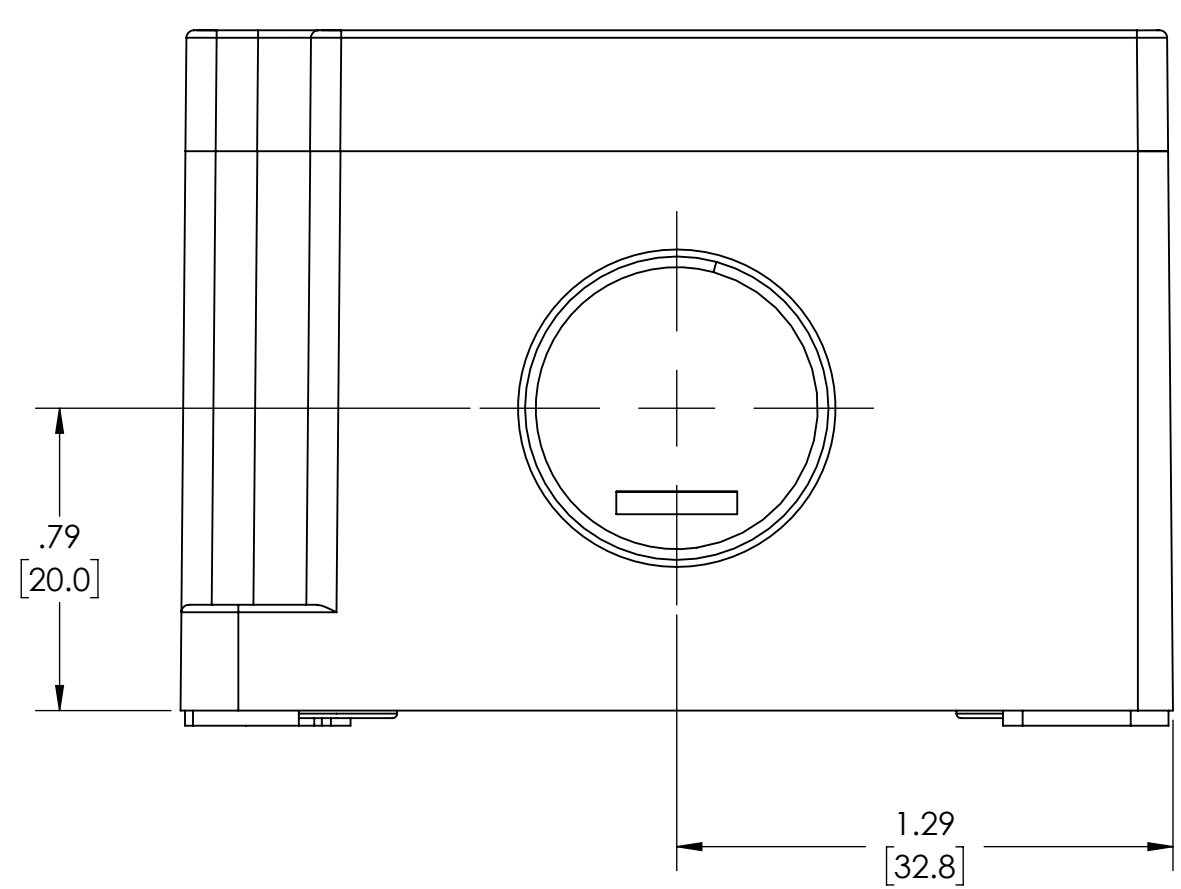


NOTES:

1. MATERIAL:  
BODY - GRAY ABS  
COVER - GRAY ABS OR CLEAR (-C SUFFIX) POLYCARBONATE
2. IP-67 TUV RATING & UL-94-HB RATING
3. CONTINUOUS GASKET IN COVER
4. SUPPLIED WITH 4 STAINLESS SCREWS FOR COVER
5. DIMENSIONS ARE INCH [MM]



COVER ONLY



SECTION A-A

**DRAWING FOR REFERENCE**  
WE RESERVE THE RIGHT TO MAKE CHANGES TO OUR STANDARD PRODUCTS. PLEASE CONSULT WITH BUD INDUSTRIES PRIOR TO USING THIS DRAWING FOR DESIGN PURPOSE.