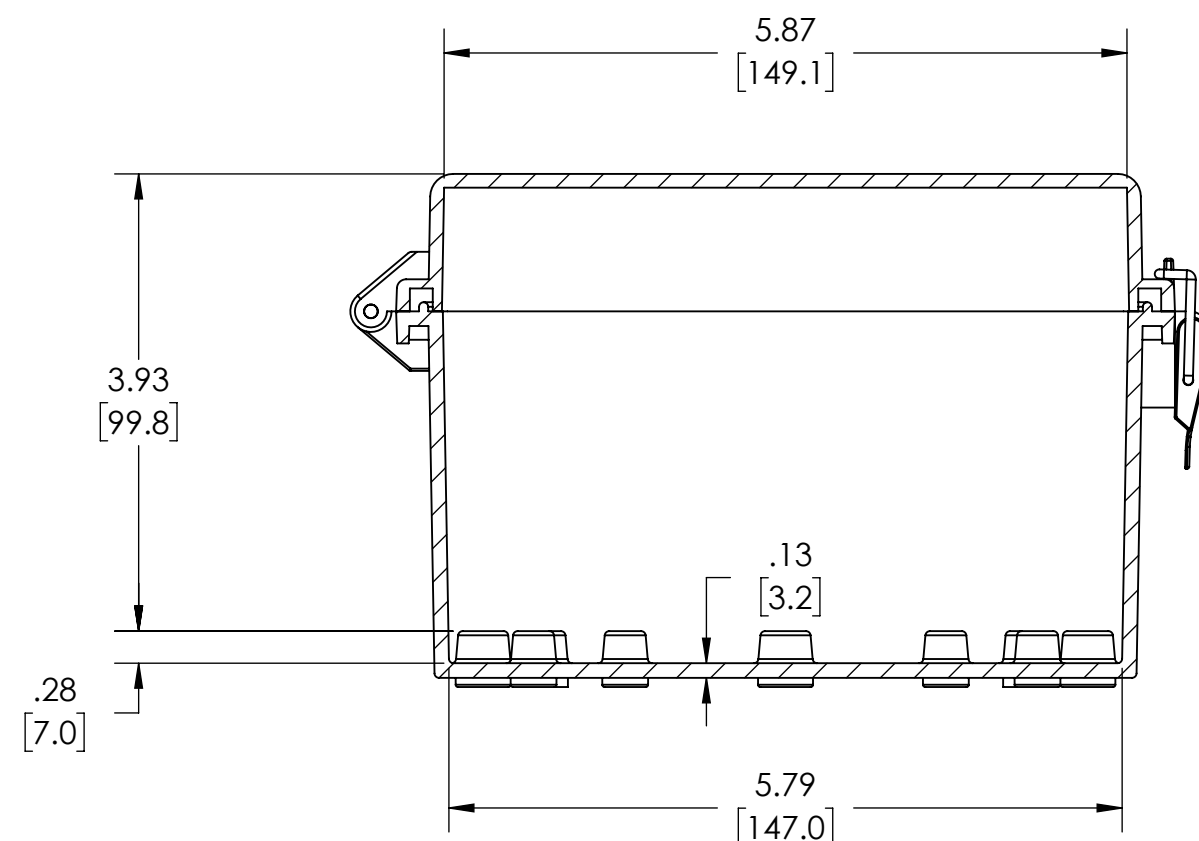
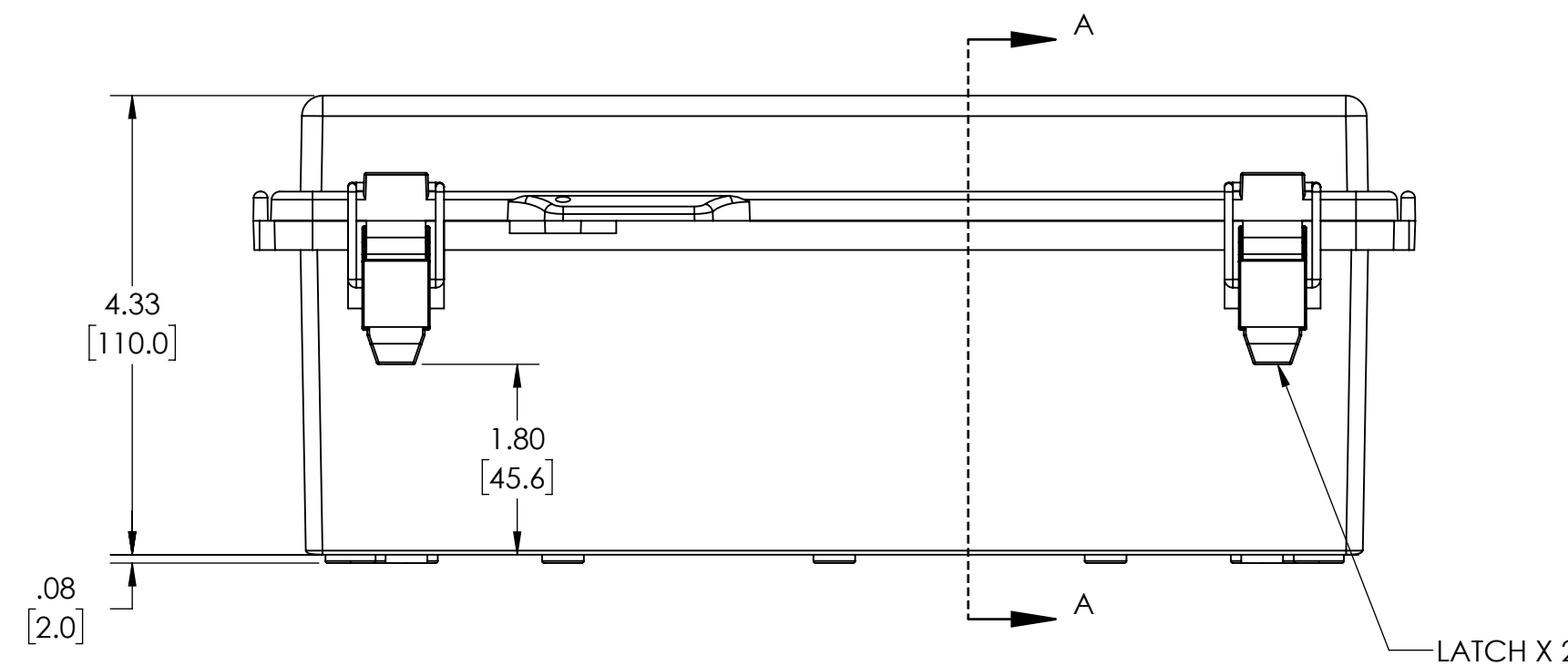
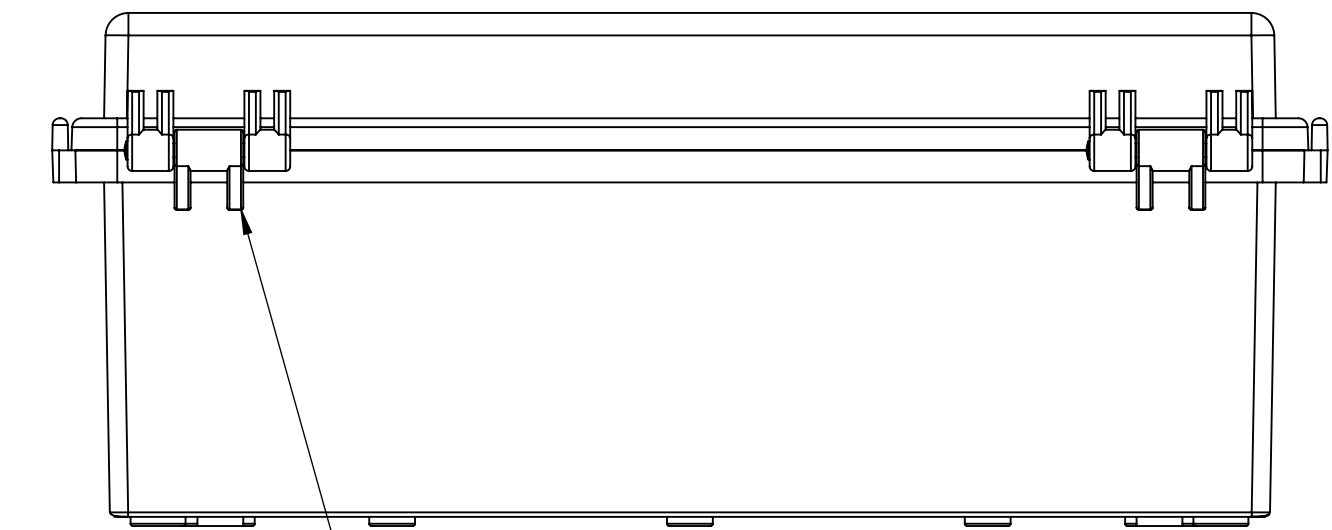
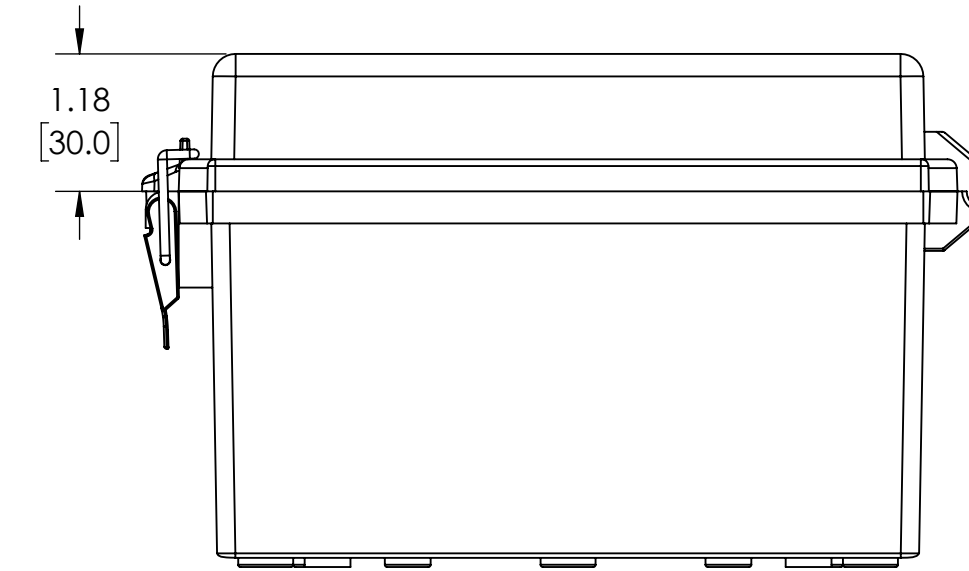


M4 THREADED INSERT X 2

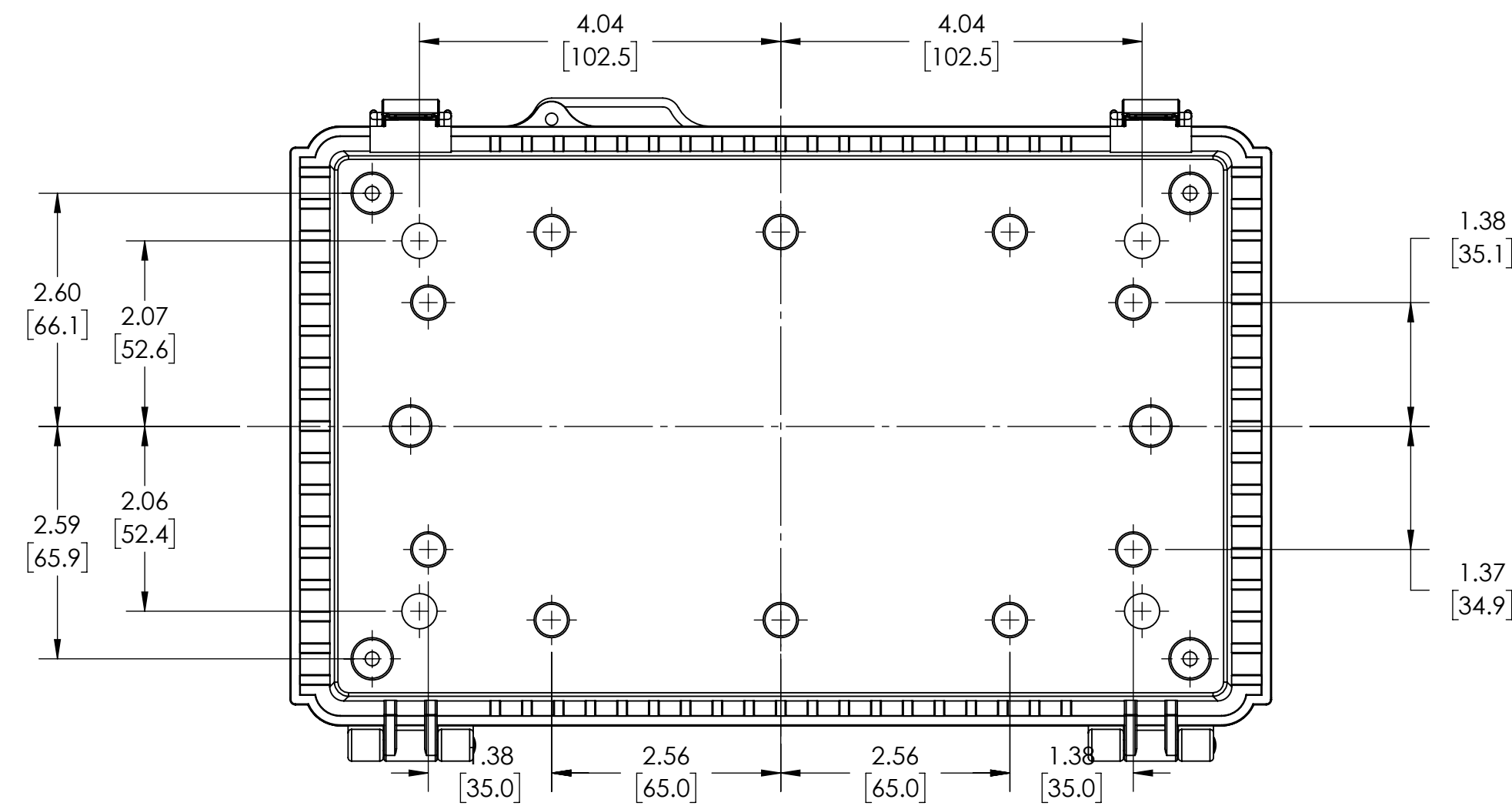
INSIDE VIEW OF BASE


 SECTION A-A
1:1.65


LATCH X 2



HINGE X 2



NOTES:

1. MATERIAL:
BODY - POLYCARBONATE 10% FIBERGLASS REINFORCED
COVER - POLYCARBONATE UL508 /NEMA TYPE 4X WITH IP-67 TUV RATING & UL-94V0 RATING
2. FINISH: BODY - LIGHT GRAY
COVER - LIGHT GRAY OR CLEAR (-C)
3. CONTINUOUS GASKET IN COVER
4. SUPPLIED WITH TWO M4 x 8mm LG. TRUSS HEAD MACHINE SCREWS
5. DIMENSIONS ARE INCH [MM]

DRAWING FOR REFERENCE
WE RESERVE THE RIGHT TO MAKE CHANGES TO OUR
STANDARD PRODUCTS. PLEASE CONSULT WITH BUD INDUSTRIES
PRIOR TO USING THIS DRAWING FOR DESIGN PURPOSE.