



PART
NAME

INTERAL STEEL PANEL

PART
No.

PTX-11057

REVISION
DATE

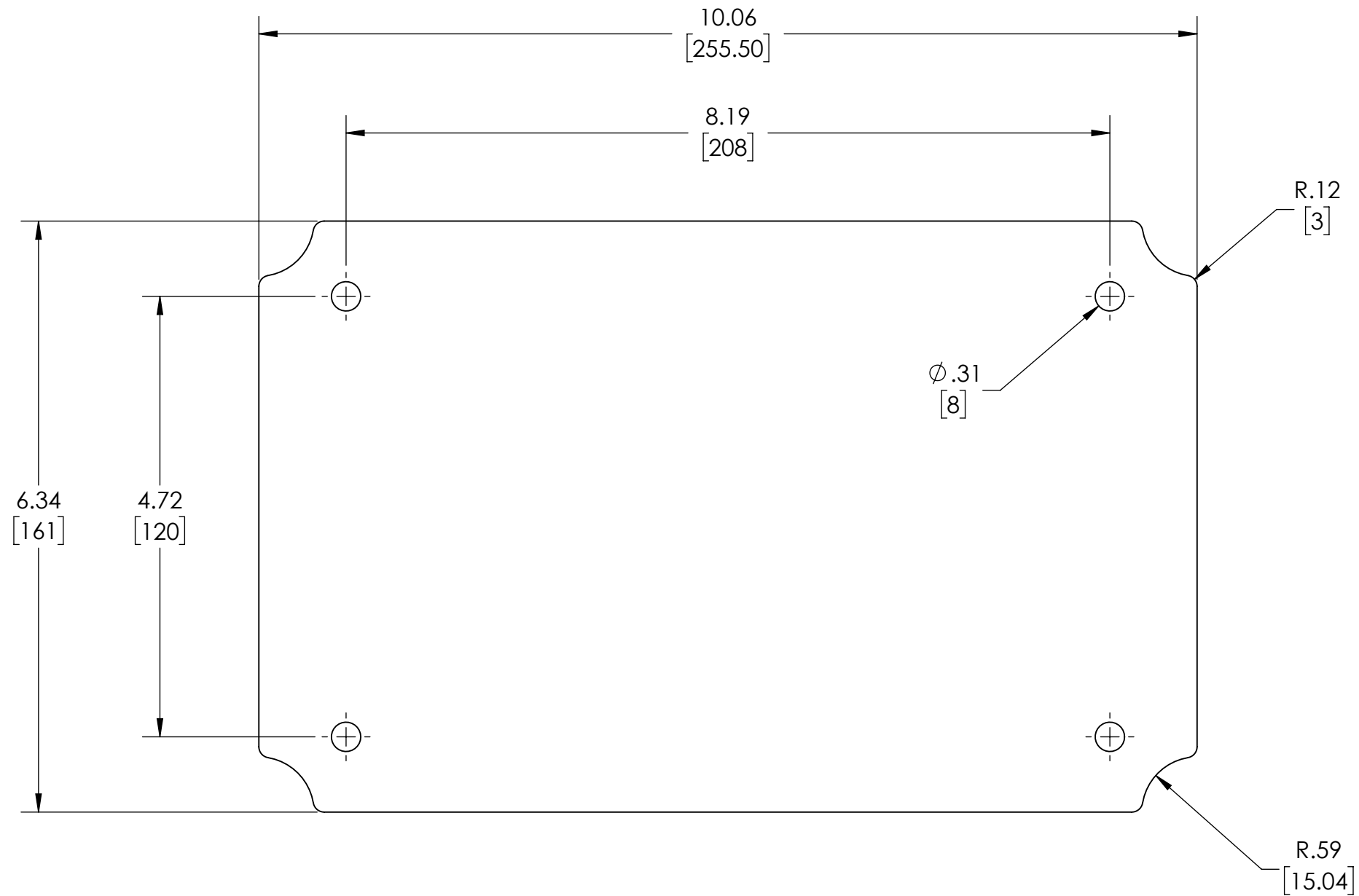
4/30/24

MATERIAL - .063 [1.6mm] THK. STEEL, ZINC PLATE

DIMENSIONS ARE INCH[MM]

PANEL FITS THE FOLLOWING ENCLOSURES:

PTH-22446 & PTH-22446-C,
PTS-25340 & PTS-25340-C



DRAWING FOR REFERENCE

WE RESERVE THE RIGHT TO MAKE CHANGES TO OUR
STANDARD PRODUCTS. PLEASE CONSULT WITH BUD INDUSTRIES
PRIOR TO USING THIS DRAWING FOR DESIGN PURPOSE.